

GaAs Constant Gamma Flip-Chip Varactor Diode



Features

- Constant Gamma for Linear Tuning
- Low Parasitic Capacitance
- High Q
- Silicon Nitride Passivation
- Polyimide Scratch Protection
- Surface Mount Configuration

Description

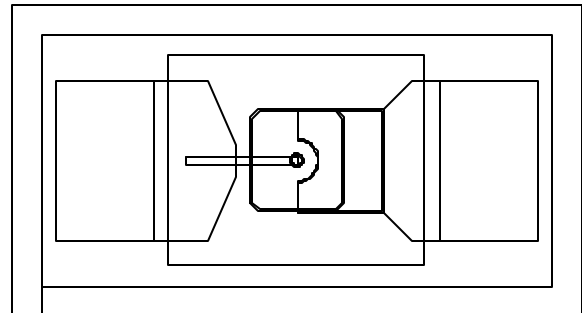
M/A-COM's MA46H120 is a gallium arsenide flip chip hyperabrupt varactor diode. These devices are fabricated on OMCVD epitaxial wafers using a process designed for high device uniformity and extremely low parasitics. The MA46H120 diodes are fully passivated with silicon nitride and have an additional layer of polyimide for scratch protection. The protective coatings prevent damage to the junction during automated or manual handling. The flip chip configuration is suitable for pick and place insertion.

Applications

The MA46H120 hyperabrupt GaAs tuning varactor is designed for wide bandwidth VCOs and voltage tuned filters where large capacitance change versus tuning voltage and high Q are required. With a constant gamma of 1.0, these diodes are particularly useful where highly predictable frequency tuning is required.

Chip Layout

TOP VIEW



BOTTOM VIEW



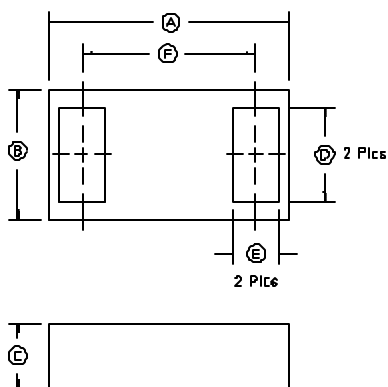
Electrical Specifications @ T_A = +25°C

Breakdown Voltage @ I_R = 10 mA, V_B = 15V Minimum

	C _T (pF)			C _T (pF)			C _T (pF)			Q Factor			Gamma		
	f=1MHz, V _R =0V			f=1MHz, V _R =4V			f=1MHz, V _R =10V			f=50MHz, V _R =4V			V _R =2-12V		
	Min	Typ	Max	Min	Typ	Max	Min	Typ	Max	Min	Typ	Max	Min	Typ	Max
MA46H120	1.1			0.30	0.40		0.14	0.20		3000			0.9	1.1	

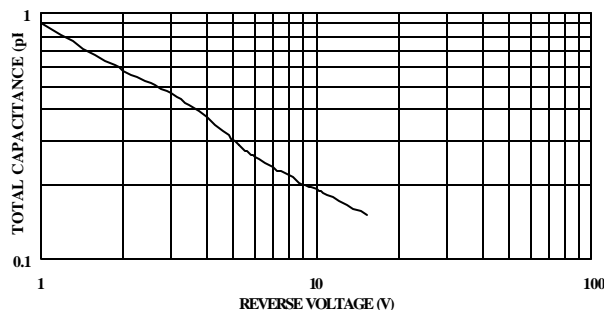
Chip Outline Drawing

(ODS-1203)



Typical Performance Curve

CAPACITANCE vs VOLTAGE

Gamma = $1.0 \pm 10\%$ from 2 - 12 Volts

DIM	INCHES		MM	
	MIN	MAX	MIN	MAX
A	.025	.027	.64	.69
B	.012	.015	.32	.37
C	.006	.008	.15	.20
D	.007	.009	.17	.22
E	.004	.006	.10	.15
F	.018	.020	.45	.50

Absolute Maximum Ratings¹

Parameter	Maximum Ratings
Operating Temperature	-40°C to +125°C
Storage Temperature	-65°C to +150°C
Power Dissipation	100 mW
Mounting Temperature	+235°C for 10 seconds

1. Exceeding these limits may cause permanent damage.

Mounting Techniques

These chips were designed to be inserted onto hard or soft substrates with the junction side down. They can be mounted with conductive epoxy or with a low temperature solder preform. The die can also be assembled with the junction side up, and wire or ribbon bonds made to the pads.

Solder Die Attachment

Solder which does not scavenge gold, such as Indalloy #2, is recommended. Sn-Pb based solders are not recommended due to solder embrittlement. Do not expose die to a temperature greater than 235°C, or greater than 200°C for longer than 10 seconds. No more than three seconds of scrub should be required for attachment.

Epoxy Die Attachment

Assembly can be preheated to 125 - 150°C. Use a minimum amount of epoxy. Cure epoxy per manufacturer's schedule. For extended cure times, temperatures must be kept below 200°C.

Handling Procedures

The following precautions should be observed to avoid damaging GaAs Flip-Chips:

Cleanliness

These chips should be handled in a clean environment. Do not attempt to clean die after installation.

Static Sensitivity

Varactor diodes are ESD sensitive and can be damaged by static electricity. Proper ESD techniques should be followed to when handling these devices.

General Handling

The protective polymer coating on the active areas of these dice provides scratch protection, particularly for the metal airbridge which contacts the anode. Dice can be handled with tweezers or vacuum pickups and are suitable for use with automatic pick-and-place equipment.